

Residential: STASIS™ Constant Force Balance System

AT 07-0218

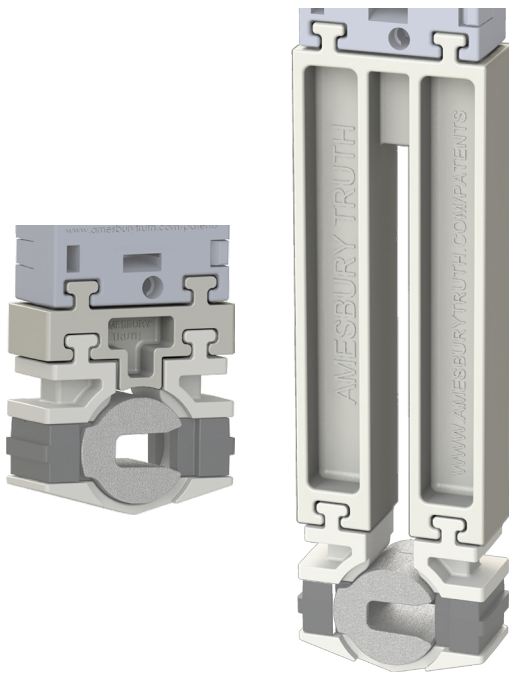
STASIS™ Constant Force Balance System

AmesburyTruth™ is pleased to present the new STASIS™ constant force balance system. Our design team has developed this innovative system for single and double hung windows.

STASIS™ is an inverted constant force system packed with features that will improve the performance of your window. We have optimized the design and materials to provide peak performance at an affordable price.



STASIS™
Constant Force Balance System



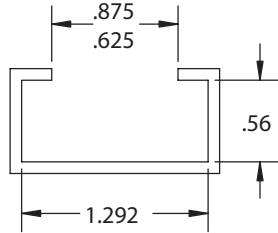
Alternative shoe options to provide a racking or drop-in solution.

Key Features & Benefits

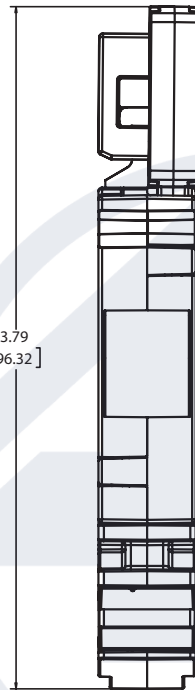
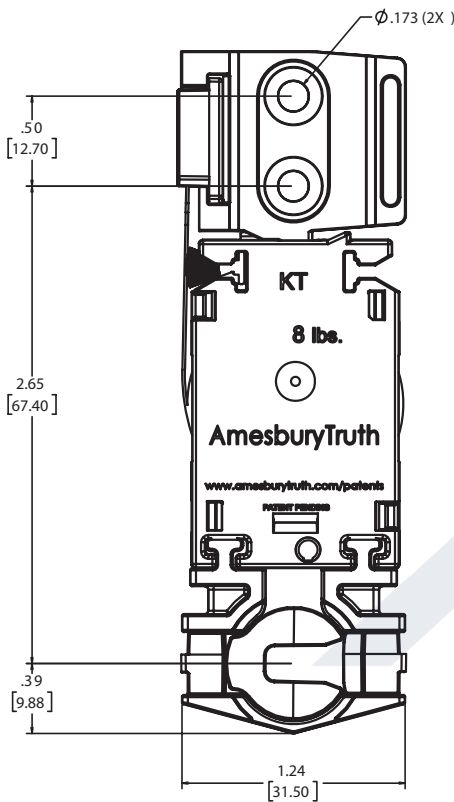
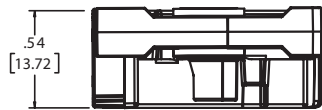
- ✔ Die-cast attachment to coil to resist damage during zing ups
- ✔ Non-handed design
- ✔ Robust pre-assembled design which can also be bought in bulk and assembled by hand
- ✔ Superior lock holding force by locking in corners of extrusion
- ✔ Modular design allows for alternative lock/pivot clearance options
- ✔ Dirt and debris management system allows for success in new construction application
- ✔ New improved coils with industry leading holding force

Residential: STASIS™ Constant Force Balance System

AT 07-0218



Recommended Jamb Pocket Dimensions



Product Applications

Residential single and double hung windows

Nominal jamb pocket dimension of 1.292" x .565"

AAMA 902 Certified Material

Zinc die-casted coil tail attachment and cam

Coil housing is acetal to reduce friction

Lock components are high strength nylon to maximize locking forces

Coil Weights Available

3.5#, 4.5#, 5.5#, 6.5#, 7.5#, 9#, 10#, 11#

Compatible Window Materials

Vinyl, wood, composite, & aluminum