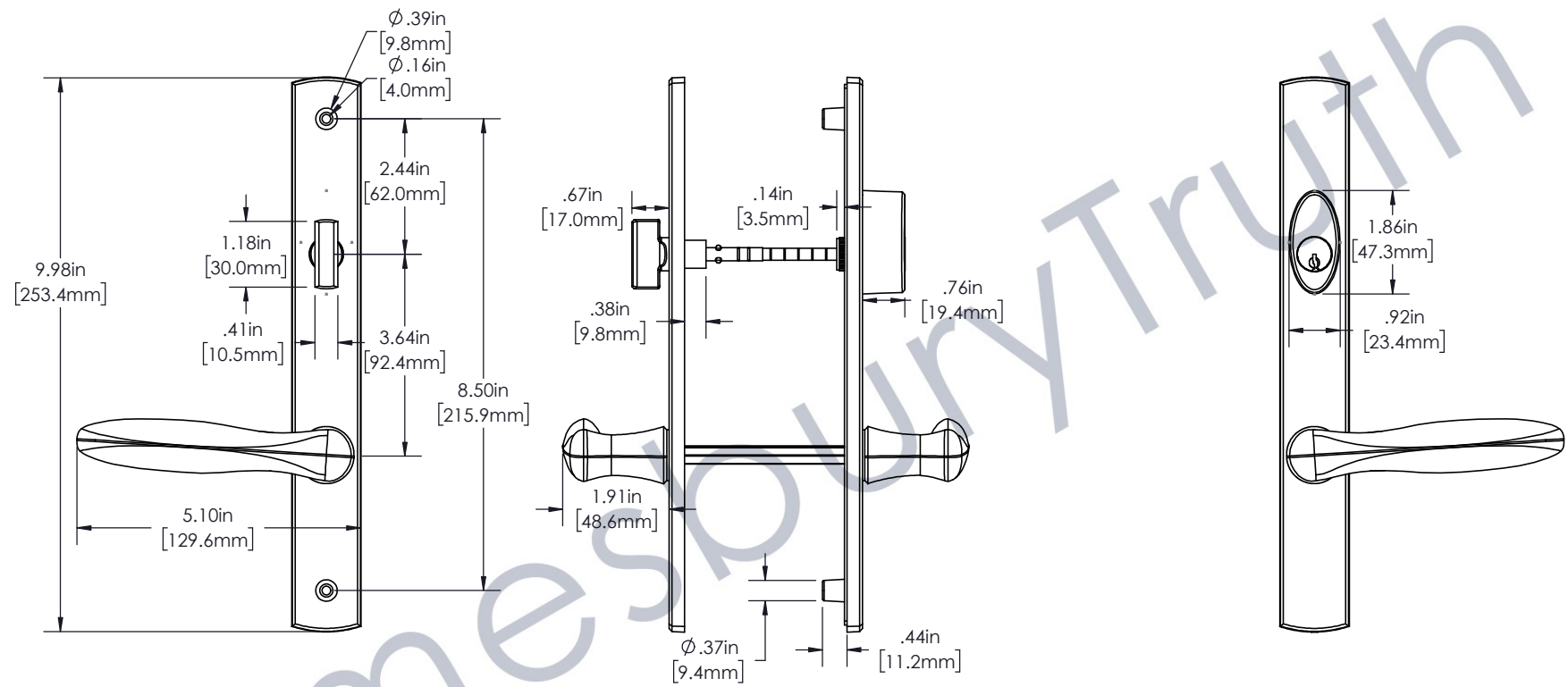

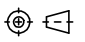


1 2 3 4 5 6 7 8



Amesbury Truth

CUSTOMER PAGE

 <p>Amesbury Truth Engineered Solutions. Trusted Results.</p> <p><small>THE INFORMATION CONTAINED IN THIS DRAWING IS CONFIDENTIAL AND PROPRIETARY. THIS DRAWING IS NOT TO BE COPIED OR REPRODUCED IN WHOLE OR IN PART WITHOUT EXPRESS WRITTEN PERMISSION.</small></p>	<p>INTERPRET PER: ASME Y14.5M-2009</p>	<p>DRAWING TITLE: SENTRY ACTIVE HANDLE SET</p>
	<p>UNITS: INCH</p>	<p>SCALE: 1:2</p>
<p>THIRD ANGLE PROJECTION</p> 	<p>DRAWING #: 45.07.XX.101</p>	

1 2 3 4 5 6 7 8