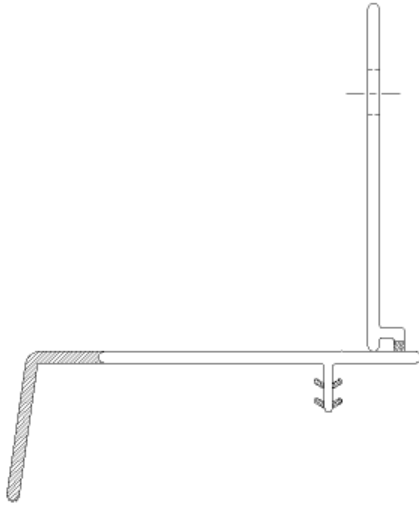


Engineered Solutions. Trusted Results.

NAILING FIN

Drip Cap Combination PP1488

Kerf mounted nail fin-drip cap. This part utilizes a clear semi-rigid drip edge. This allows the color of the frame/cladding to be seen through the drip edge, eliminating the need for color matching and stocking multiple colors.



product highlights

- The nailing flange is 1.5" long - designed to fit a 0.080" kerf

Available Colors

Greys



Grey