

RESIDENTIAL PRODUCTS: **STASIS Constant Force Balance System**

AT0020-0809

STASIS Constant Force Balance System

AmesburyTruth is pleased to present the new STASIS constant force balance system. Our design team has developed this innovative system for single and double hung windows.

STASIS is an inverted constant force system packed with features that will improve the performance of your window. We have optimized the design and materials to provide peak performance at an affordable price.

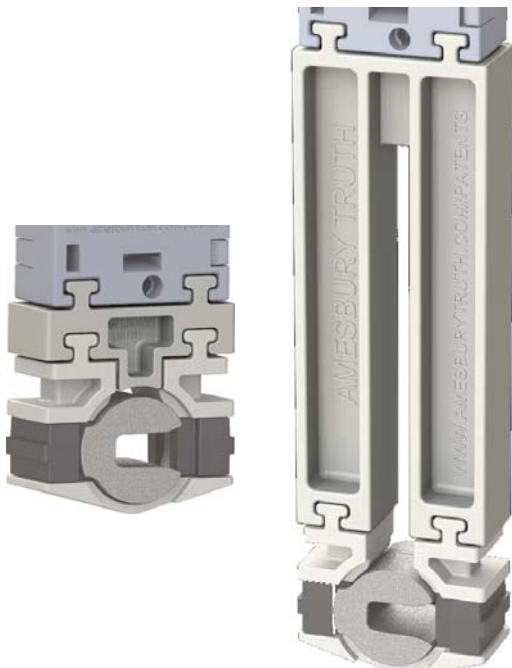


STASIS

Constant Force Balance System

Key Features & Benefits

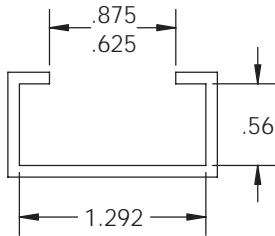
- Diecast attachment to coil to resist damage during zing ups
- Non-Handed Design
- Robust Pre-assembled design which can also be bought in bulk and assembled by hand
- Superior lock holding force by locking in corners of extrusion
- Modular design allows for alternative lock/pivot clearance options
- Dirt and Debris management system allows for success in New Construction applications
- New improved coils with industry leading holding force



Alternative shoe options to provide a racking or drop-in solution.

RESIDENTIAL PRODUCTS: STASIS Constant Force Balance System

AT0020-0809



**Recommended Jamb
Pocket Dimensions**

Product Name: STASIS

Product Applications

- Residential single and double hung windows.
- Nominal Jamb Pocket Dimension of 1.292" x .565"

AAMA 902 Certified

Material

- Zinc die-casted coil tail attachment and cam.
- Coil housing is Acetal to reduce friction.
- Lock components are high strength nylon to maximize locking forces.

Coil Weights Available

- 3.5# • 7.5#
- 4.5# • 9#
- 5.5# • 10#
- 6.5#

Compatible Window Materials

- Vinyl, wood, composite or aluminum

