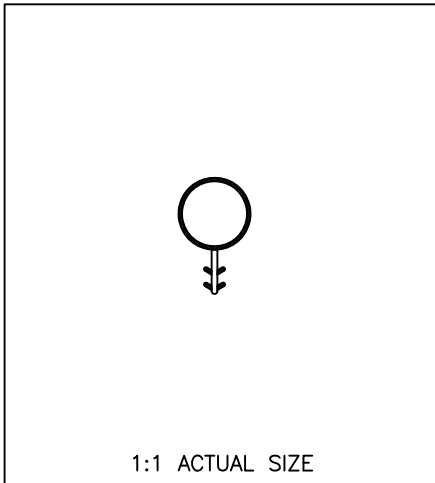
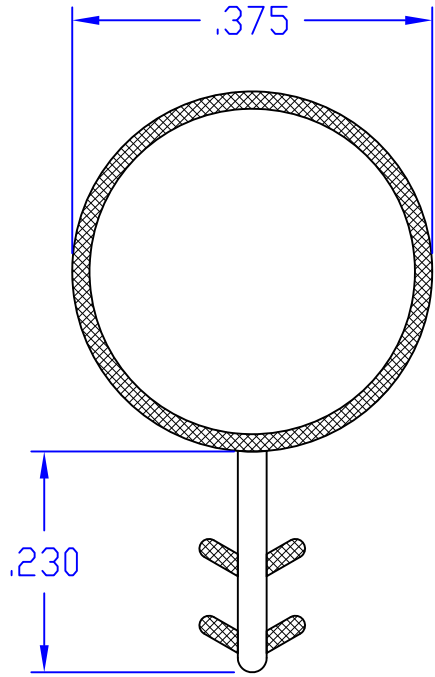


REV	DESCRIPTION	DATE	ECO#	BY
-----	-------------	------	------	----



REFER TO CAD DRAWING FOR ALL DIMENSIONS NOT FULLY CONSTRAINED.

1:1 ACTUAL SIZE



**Amesbury Truth**<sup>™</sup>  
Engineered Solutions. Trusted Results.

INTERPRET PER:  
SAME Y14.5M-2009

DRAWING TITLE:  
**- CUSTOMER PAGE -**

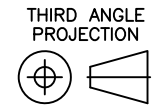
UNITS: INCH  
TOLERANCE UNLESS  
OTHERWISE SPECIFIED

DRAWN BY: **DCL** CHECKED BY:

**KERF MOUNT BULB SEAL**

SCALE: **5:1** SHEET: **1 OF 1**

THE INFORMATION CONTAINED IN THIS DRAWING IS CONFIDENTIAL AND PROPRIETARY. THIS DRAWING IS NOT TO BE COPIED OR REPRODUCED IN WHOLE OR IN PART WITHOUT EXPRESS WRITTEN CONSENT.



CAD TYPE: <b>AUTOCAD</b>	SIZE: <b>A</b>	DRAWING #: <b>PP2485</b>	REV: <b>0</b>
-----------------------------	-------------------	-----------------------------	------------------