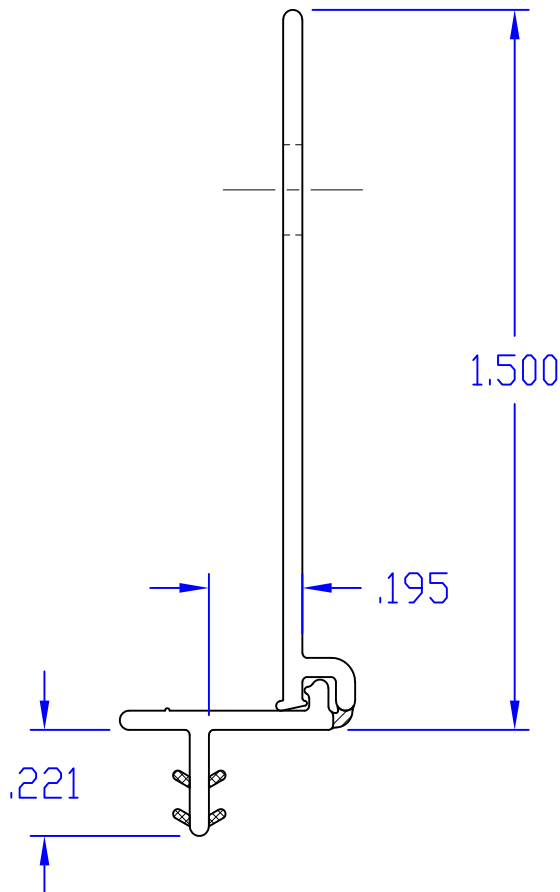


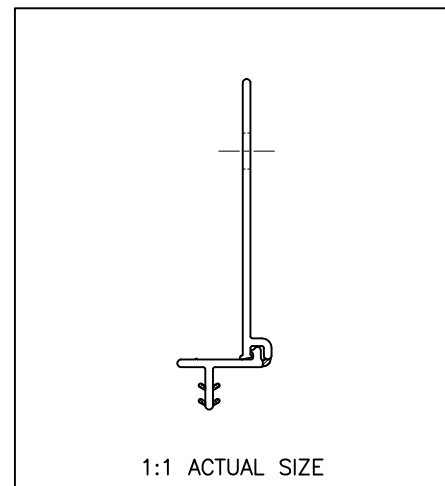
REV	DESCRIPTION	DATE	ECD#	BY
-----	-------------	------	------	----



AS EXTRUDED



INSTALLED



1:1 ACTUAL SIZE

REFER TO CAD DRAWING FOR ALL DIMENSIONS NOT FULLY CONSTRAINED.



INTERPRET PER:
SAME Y14.5M-2009

UNITS: INCH

TOLERANCE UNLESS
OTHERWISE SPECIFIED

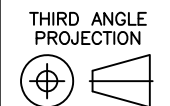
DRAWING TITLE:
- CUSTOMER PAGE -

HINGED NAIL FIN

DRAWN BY: **DCL** CHECKED BY:

SCALE: **2.5:1** SHEET: **1 OF 1**

THE INFORMATION CONTAINED IN THIS DRAWING IS CONFIDENTIAL AND PROPRIETARY. THIS DRAWING IS NOT TO BE COPIED OR REPRODUCED IN WHOLE OR IN PART WITHOUT EXPRESS WRITTEN CONSENT.



KC CRITICAL DIMENSIONS

CAD TYPE: **AUTOCAD** SIZE: **A** DRAWING #: **PP2036** REV: **0**