

COMMERCIAL / RESIDENTIAL PRODUCTS: CASEMENT & AWNING PRODUCTS

AT0009-0716

SecureGard™ Operator Cover

The SecureGard lockable cover and handle is a versatile option for use in places where safety may be a concern such as schools, hospitals, or the home. With SecureGard your window may be locked in the open or closed position to prevent others from operating the window without a key.

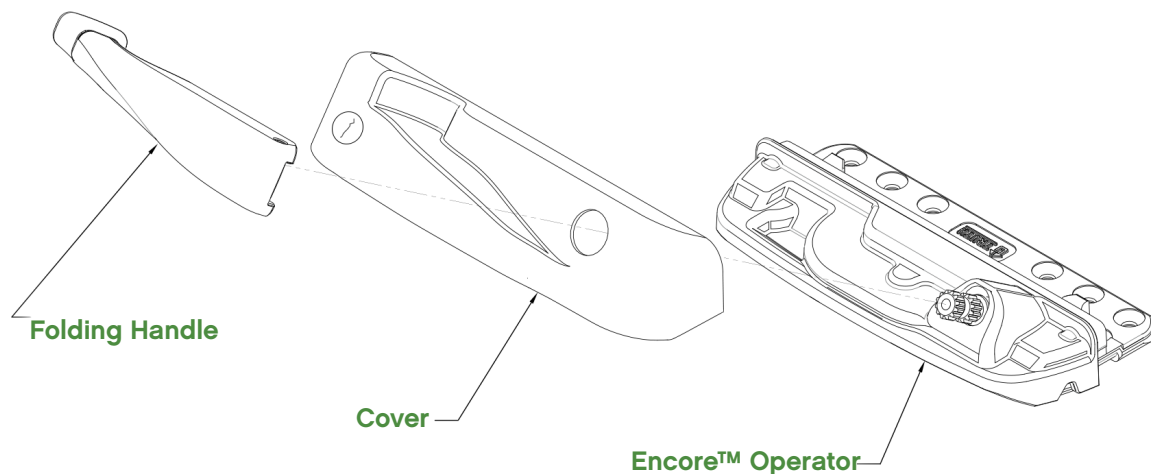
SecureGard has the same look as the AmesburyTruth™ traditional Tango style Encore™ covers and can be applied to any of our Encore operator arm styles for casement and awning windows. No changes to the manufacturing process are necessary when implementing SecureGard because this cover simply snaps into place over the spline of the operator, and the handle has a set screw to tighten over the spline. When the key is turned to the locked position the lock cylinder drives a pin into a hole in the handle, securing the handle in place.

Key Features & Benefits

- ✓ Snap fit cover
 - Snaps onto current Encore™ operators
- ✓ Keyed custodial locking feature
 - Allows window to be locked in closed or open position
 - Visual indicators for “locked and unlocked”
- ✓ Contemporary design
 - Folding handle is kept tucked away while not in use



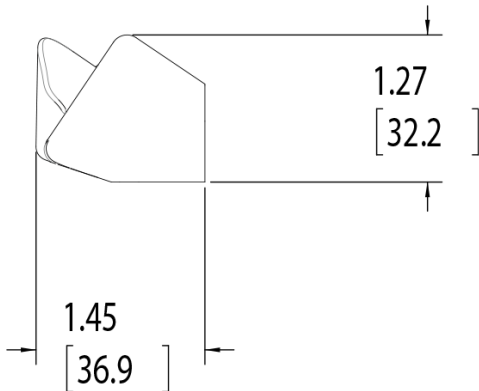
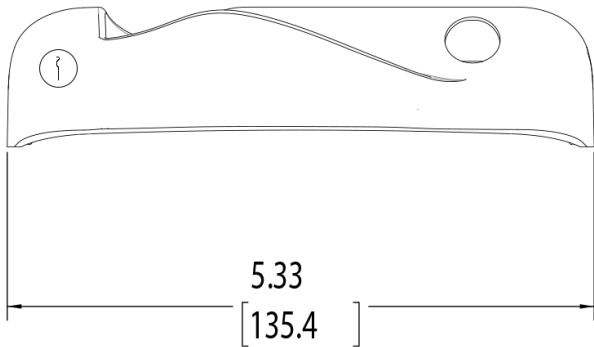
SecureGard™ Operator Cover



Secure your sash with a product you trust.

COMMERCIAL / RESIDENTIAL PRODUCTS: CASEMENT & AWNING PRODUCTS

AT0009-0716



Product Name: SecureGard

Product Applications

- Lockable handle and cover for Encore™ Operators
- Used for custodial and/or safety purposes
- Not for use in egress windows

Material

- Zinc die-cast cover and handle

Available Finishes

- Faux Nickel, Black, Aluminum, Bronze, Clay, Chestnut Bronze, and more available upon request

Compatible Window Materials

- Vinyl, wood, composite, or aluminum

Available Styles

- Two different keyed locks available, installed and changed by the manufacturer or end user
- Lockable cover and handle available in Encore Tango style only

Part Numbers & Quantities

Description	Part Number	# / carton
Handle/Cover, LH S lock Encore Tango	14873.xx	20
Handle/Cover, RH G lock Encore Tango	14874.xx	20
Cylinder with keys 4864778 KA	24183	100
Cylinder with keys 684846 KA	24184	100

*xx denotes finish code

