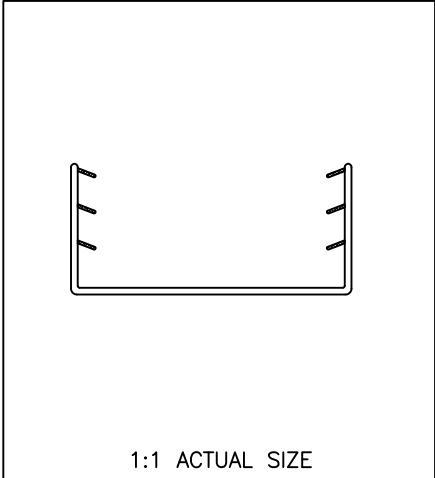
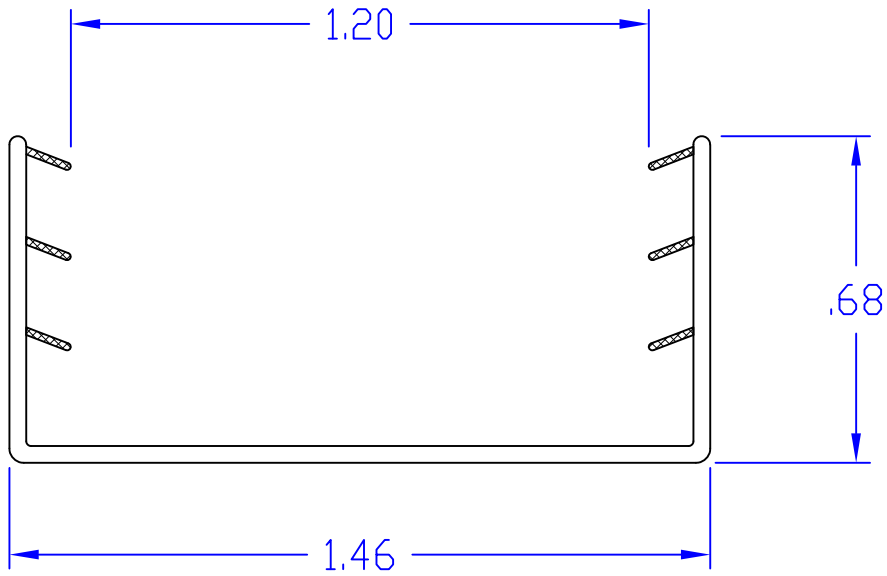


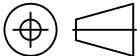


REV	DESCRIPTION	DATE	ECO#	BY
-----	-------------	------	------	----



REFER TO CAD DRAWING FOR ALL DIMENSIONS NOT FULLY CONSTRAINED.

 Amesbury Truth Engineered Solutions. Trusted Results.	INTERPRET PER: SAME Y14.5M-2009	DRAWING TITLE:	
	UNITS: INCH	- CUSTOMER PAGE -	
SHIPPING SUPPLIES	TOLERANCE UNLESS OTHERWISE SPECIFIED	DRAWN BY: DCL	CHECKED BY:
	 CRITICAL DIMENSIONS	SCALE: 2.5:1	SHEET: 1 OF 1
THE INFORMATION CONTAINED IN THIS DRAWING IS CONFIDENTIAL AND PROPRIETARY. THIS DRAWING IS NOT TO BE COPIED OR REPRODUCED IN WHOLE OR IN PART WITHOUT EXPRESS WRITTEN CONSENT.	THIRD ANGLE PROJECTION 	CAD TYPE: AUTOCAD	SIZE: A
		DRAWING #: PP0619	REV: 2